

HSF

NOTES:

Current Rating: 1.0AMP
 Contact Resistance: 20mΩ Max
 Withstand Voltage: 500V AC/DC
 Insulation Resistance: 1000MΩ Min
 Operation Temperature: -40°C to +105°C

Contact Material: Phosphor Bronze
 Contact plating: Au over Ni
 Insulator Material: PA9T+30%GF UL94V-0

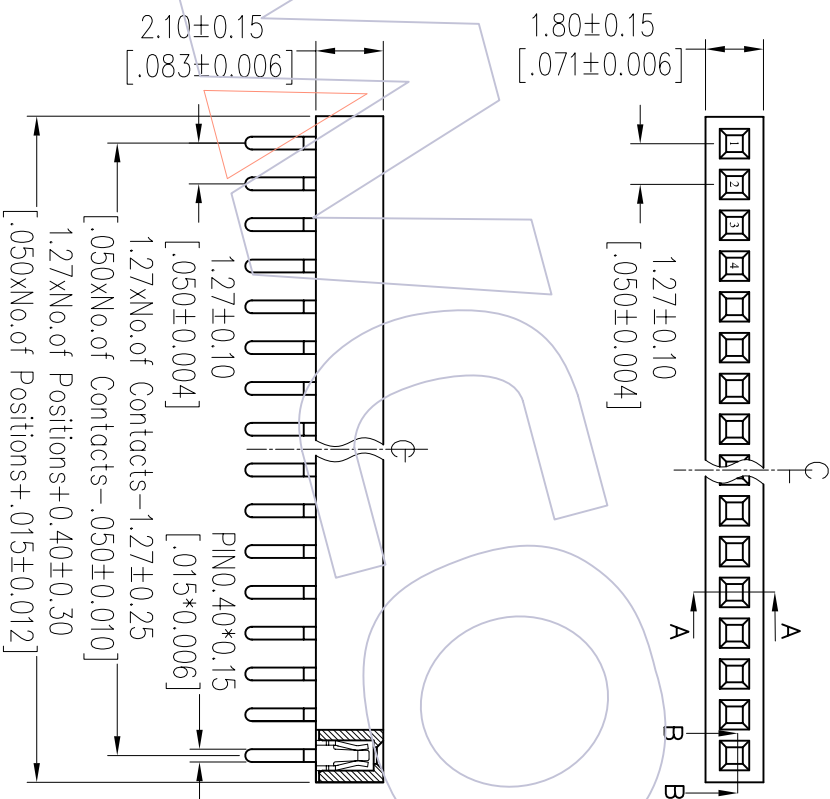
Ordering Information

2321-1XXSXXCUNT1

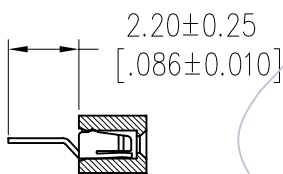
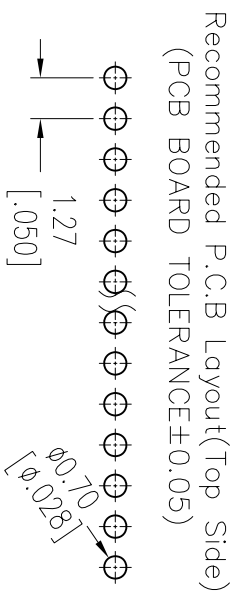
No. of Pins per Row: 102-50PIN
 Contact Plating: G0=Gold Flash
 G3=10μ"Gold
 G4=15μ"Gold
 G5=50μ"Gold

Packing: T=Tube

Item	Pitch	Mating
Standard	1.27	1310/1315/1320
Alternate		



SECTION B-B



SECTION A-A

OPERATION	DRAW	DATE	SCALE	FIT	PART NO.
XX	JYHuang	2012/07/06	±0.40	mm	2321-1XXSXXCUNT1
XX	CHECK	DATE	±0.25	A4	TITLE: PH1.27mm SINGLE ROW 180° DIP
X.XXX	Angle	± 3°	±0.15	1/1	Customer NO.
REV	DATE	MODIFICATION DESCRIPTION	CHANGE DIM	APPROVE	DATE
A0	2012/07/06	NEW			

WCON

Http: www.wcon.com

WCON-Dongguan Tel: +86 769 85358920 Fax: +86 769 85358915 E-mail: sales@wcon.com
 WCON-Kunshan Tel: +86 512 57468408 Fax: +86 512 57468468 E-mail: sales@wcon.com