

HSF

TECHNICAL SPECS:

Current Rating: 3.0AMP
 Contact Resistance: 10m Ω Max
 Dielectric Strength: Min 1000Vrms
 Mechanical Life: Min 500 cycles
 Mating Pin: $\phi 0.7$ to $\phi 0.9$ mm or 0.635SQ
 Forces: (polished steel gauge $\phi 0.76$ mm)
 Insertion: 150g Max./Pin, Withdrawal: 30g Min./Pin
 Operation Temperature: -40°C to $+105^{\circ}\text{C}$

Sleeve: Brass CuZn36Pb3(C36000)
 Contact Clip(6 finger): BeCu(C17200)
 Insulator Material: PPS+30%G.F(UL94V-0)

Ordering Information

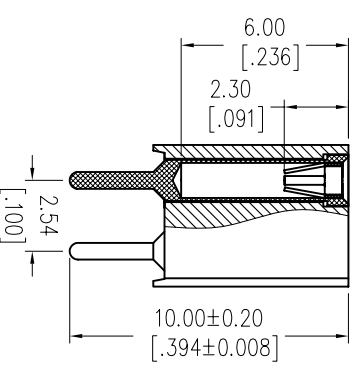
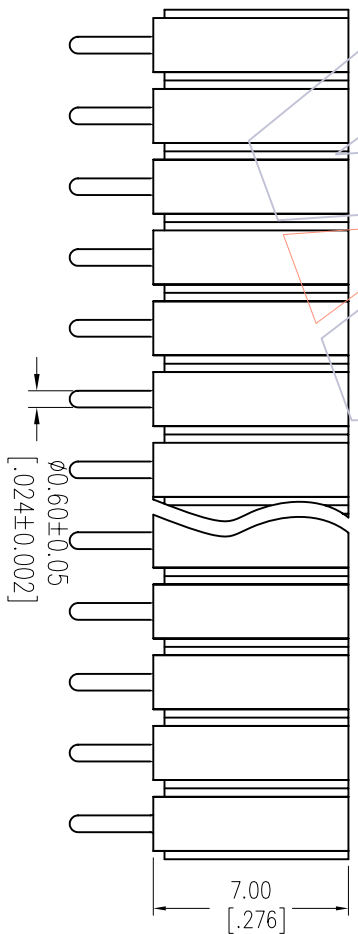
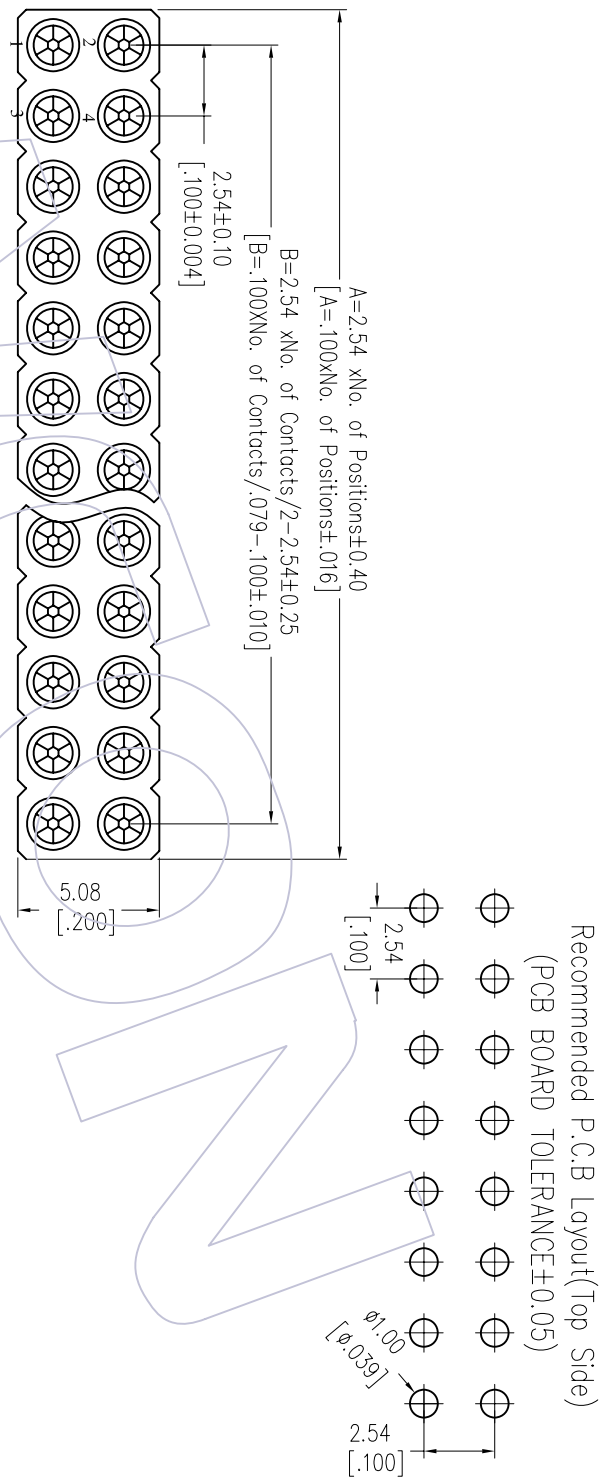
3521-702 XX S XX 100 X 1

No. of Pin
 2-50PIN

Contact Plating
 S0=Gold Flash/Tin
 S3=10u"Gold/Tin
 S4=15u"Gold/Tin
 S5=30u"Gold/Tin
 SN=Tin

Packing
 A=Tray
 T=Tube

Item	Pitch	Mating
Standard	2.54	3510
Alternate		



Recommended P.C.B Layout(Top Side)
 (PCB BOARD TOLERANCE±0.05)

OPERATION		DRAW		DATE		SCALE		FIT		PART NO.	
XX	±0.40	JYHuang		2012/10/18		mm				3521-702XXSXX100X1	
XX	±0.25	CHECK		DATE		A4				TITLE:	
X.XXX	±0.15	Angle		± 3°		SHEET				2.54mm MACHINED FEMALE HEADER	
REV	DATE	MODIFICATION DESCRIPTION	CHANGE	DIM	TOL	APPROVE	DATE	PROJ.		DUAL ROW 180° H=7.00 L=10.0	
A0	2012/10/18	NEW								Customer NO.	
<p>WCON-Dongguan Http: www.wcon.com WCON-Kunshan</p> <p>Tel: +86 769 85358920 Tel: +86 512 57468408</p> <p>Fax: +86 769 85358915 Fax: +86 512 57468468</p> <p>E-mail: sales@wcon.com E-mail: sales@wcon.com</p>											