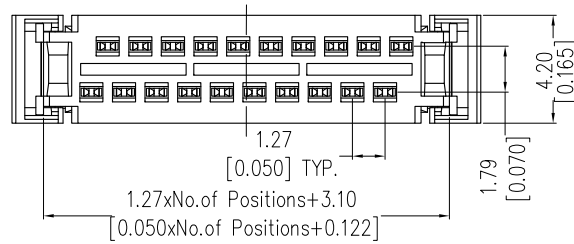
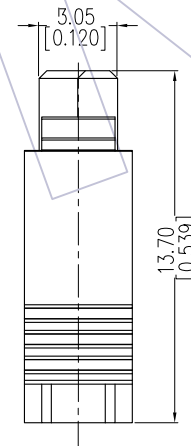
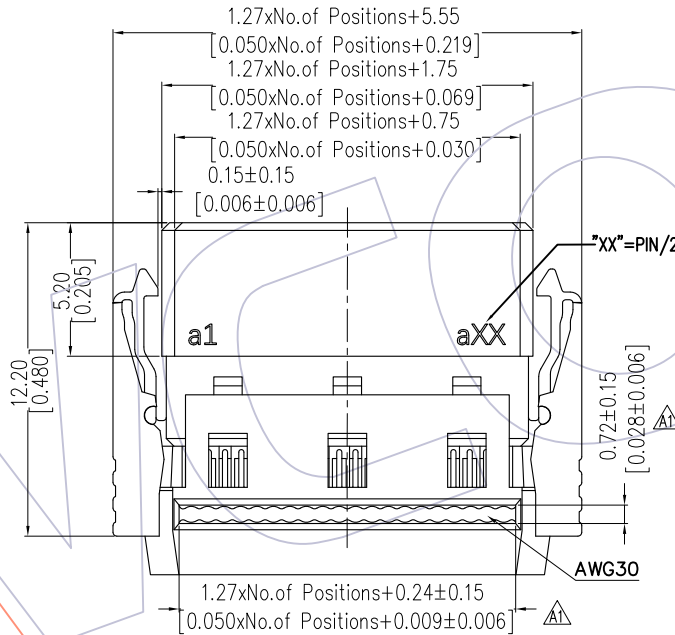
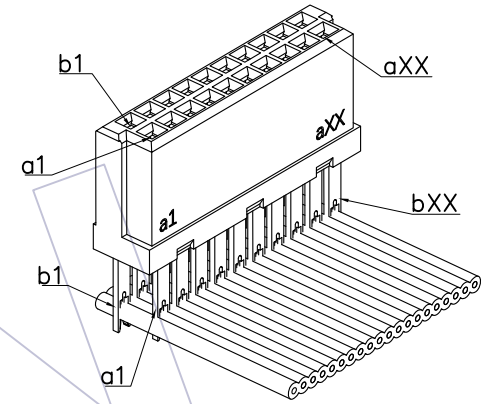
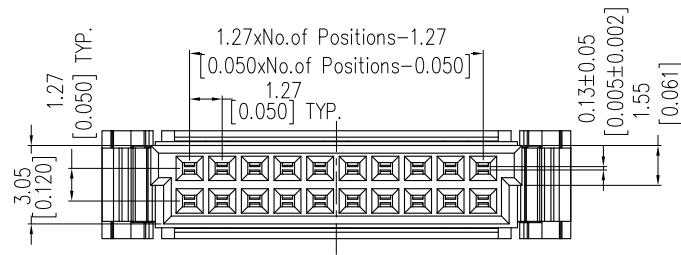


HSF

NOTES:
 Rated Current: 0.8 AMP.
 Contact Resistance: 25mΩ Max.
 Withstand Voltage: 500V
 Insulation Resistance: 10000MΩ Min.
 Operation Temperature: -55℃ to +105℃

Contact Material: Phosphor Bronze
 Contact Plating: Sn and Au over Ni
 Main Cover Material: LCP
 Main Body Material: LCP



Ordering Information

3911 - XXX U XX W X 1

No. of Pins
 010: 10 Pin
 020: 20 Pin
 100: 100 Pin

Plating
 S0=Gold Flash/Tin
 S1=3U" Au/Tin
 S2=5U" Au/Tin
 S3=10U" Au/Tin
 S4=15U" Au/Tin
 S5=30U" Au/Tin

Package
 A: Tray

REV	DATE	MODIFICATION DESCRIPTION	CHANGE	OPERATION	DRAW	DATE	SCALE	PART NO.
A1	2018/05/02	Modify	—	x.X ±0.40	丁文敏	2018/05/02	1:1	3911-XXXUXXWA1
A0	2018/03/23	NEW	—	x.XX ±0.25	CHECK	DATE	mm	TITLE:
				x.XXX ±0.15	APPROVE	DATE	A4	1.27Pitch SDC IDC TYPE CONNECTORS
				Angle ± 3°			1/1	Customer NO.
				DIM TOL				

WCON

Http: www.wcon.com

WCON-Dongguan
 Tel: +86 769 85358920
 Fax: +86 769 85358915
 E-mail: sales@wcon.com

WCON-Kunshan
 Tel: +86 512 57468408
 Fax: +86 512 57468468
 E-mail: sales@wcon.com