



**NOTES:**

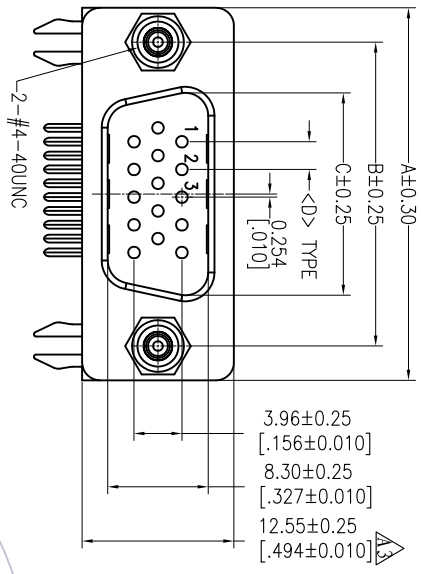
- Rated Current: 3.0AMP
- Contact Resistance: 30mΩ max
- Withstand Voltage: 500V AC
- Insulation Resistance: 1000MΩ min
- Operation Temperature: -55°C to +105°C
- Contact Material: Brass
- Contact Plating: Au or Sn Over Ni
- Insulator Material: PBT+30%G.F UL94V-0
- Sheel: Steel, Ni Plated
- Revit/Harpoon: Brass, Sn Over Ni Plated
- Screw: Brass, Ni Plated

**Ordering Information**

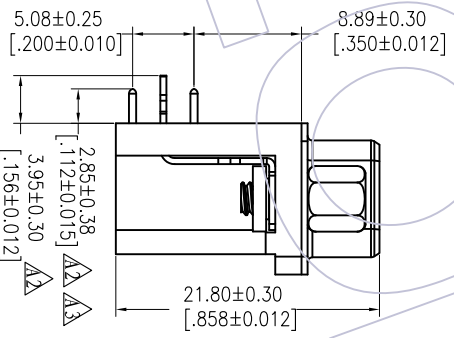
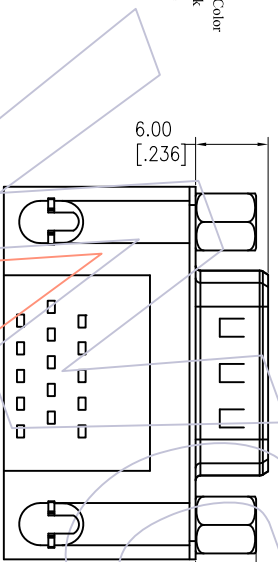
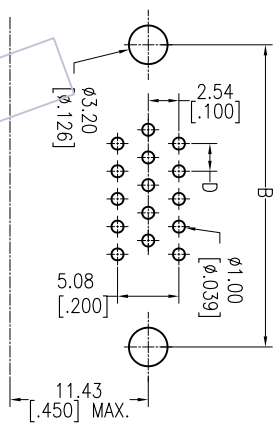
6213-XX M X N XX B 01

No. of Pins	Product Type	Contact Plating	Insulator Color
15, 36, 44, 62P	W=With Revit M=With Screw S=No Revit H=With Revit With Screw(Dont lock)	SP=Gold Flash/Tin S3=10u"Gold/Tin S4=15u"Gold/Tin S=No Revit Lock With Screw SN=1Tin	B=Black U=Blue

PINS	DIM "A"	DIM "B"	DIM "C"	DIM "D"
15	30.80	24.99	16.92	2.29
26	39.20	33.32	25.38	2.29
44	53.10	47.04	39.10	2.29
62	70.00	63.50	55.45	2.41



Recommended P.C.B Layout(Top Side)  
(PCB BOARD TOLERANCE±0.05)

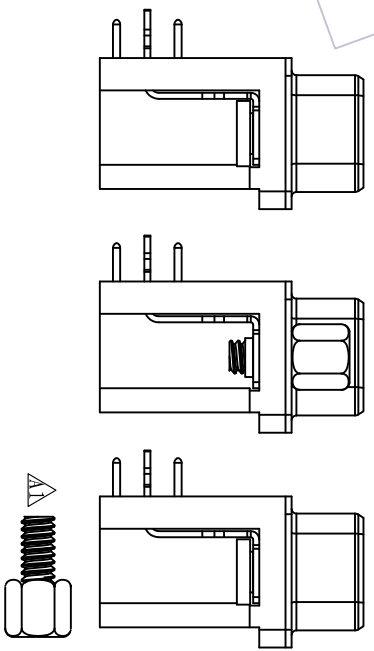


6213-XXMWNXXB01

6213-XXMMNXXB01

6213-XXMSNXXB01

6213-XXMHNXXB01



A3	2014/06/03	Modify	OPERATION	DRAW	DATE	SCALE	FIT	PART NO.	<p><b>WCON</b></p> <p>Http: www.wcon.com</p> <p>WCON-Dongguan Tel: +86 769 85358920 Fax: +86 769 85358915 E-mail: sales@wcon.com</p> <p>WCON-Kunshan Tel: +86 512 57468408 Fax: +86 512 57468468 E-mail: sales@wcon.com</p>
A2	2014/03/31	Modify	XX	All len	2014/06/03	mm		6213-XXMWNXXB01	
A1	2013/02/19	ADD NEW TYPE	XX	CHECK	DATE	A4		TITLE: High density connector right angle male 8.89mm footprint right angle type	
A0	2012/12/05	NEW	X.XXX	±0.15	DATE	1/1		Customer NO.	
REV	DATE	MODIFICATION DESCRIPTION	CHANGE	APPROVE	DATE	PROJ.			